

Exam Time!





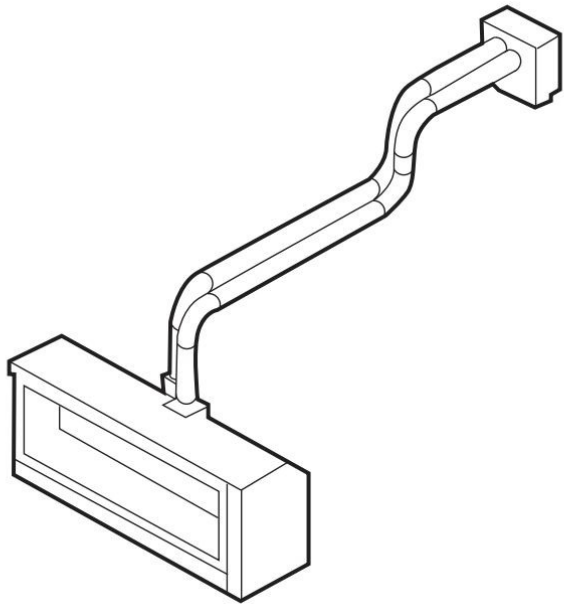
EXAM

### Question 1

- LPG is:
- A: Lighter than air
- B: Denser than air

### Question 2

- What type of fire requires a gas star rating?
- A: Electric Fires
- B: Room Sealed Gas Fires
- C: Decorative Fires
- D: Bush Fires



### Question 3

- The image to the left is of which motor?
- A: External Horizontal
- B: External Vertical
- C: Inline Horizontal
- D: Inline Vertical

### Question 4

- Why is the ventilation required in the space where an open fronted gas log fire is installed?
- A: To replenish the water
- B: To replenish the air
- C: To lower the customer's blood pressure



EXAM

### Question 5

- Can a decorative fire provide any heat?
- A: Yes
- B: No
- C: Some – bum warmer

### Question 6

- Most responsible manufacturers of gas log fires use how many watts/m<sup>2</sup> to calculate the area the fire can heat up to?
- A. 50m<sup>2</sup>
- B. 60m<sup>2</sup>
- C. 70m<sup>2</sup>
- D. 80m<sup>2</sup>



### Question 7

- What are the four important pieces of information displayed on a star rating tag?

- 1:
- 2:
- 3:
- 4:

### Question 8

- The image on the left is:

- A: An Isolation Switch
- B: A Solitary Switch
- C: A Solenoid Valve





EXAM

### Question 9

- How can you terminate a power flue?
- A: Vertically
- B: Horizontally
- C: Inline
- D: All of the above

### Question 10

- What is the difference between a Mj and kW?
- A: One is power and one is energy
- B: One is a feeling, the other is a fact
- C: They are the same thing
- D: This is how cholesterol is measured